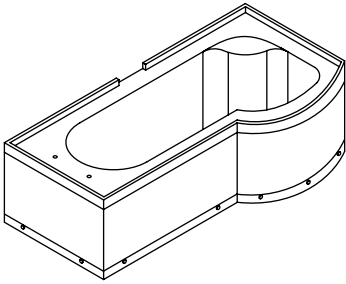
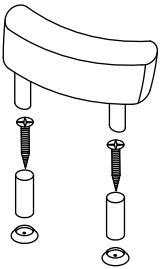
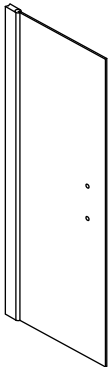
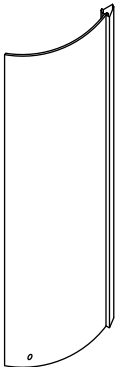
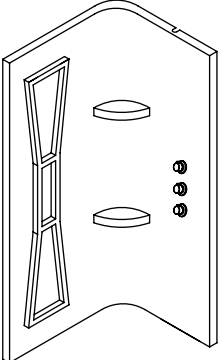
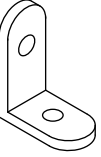
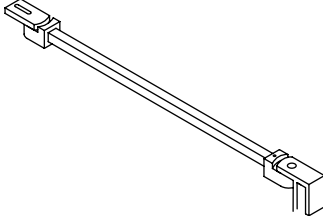
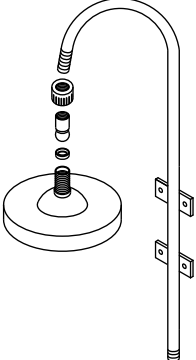

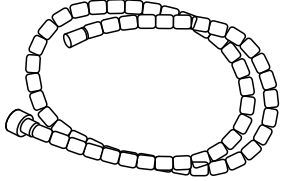
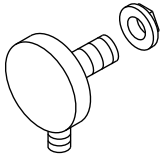
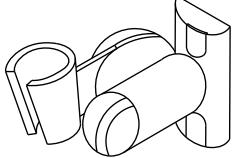
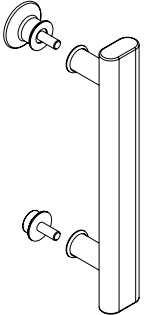
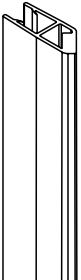
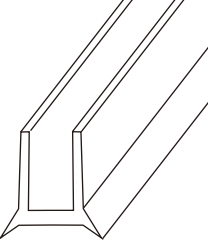

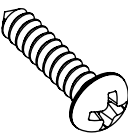
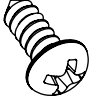


9045 R/L

L=1500 W=850 H=2300

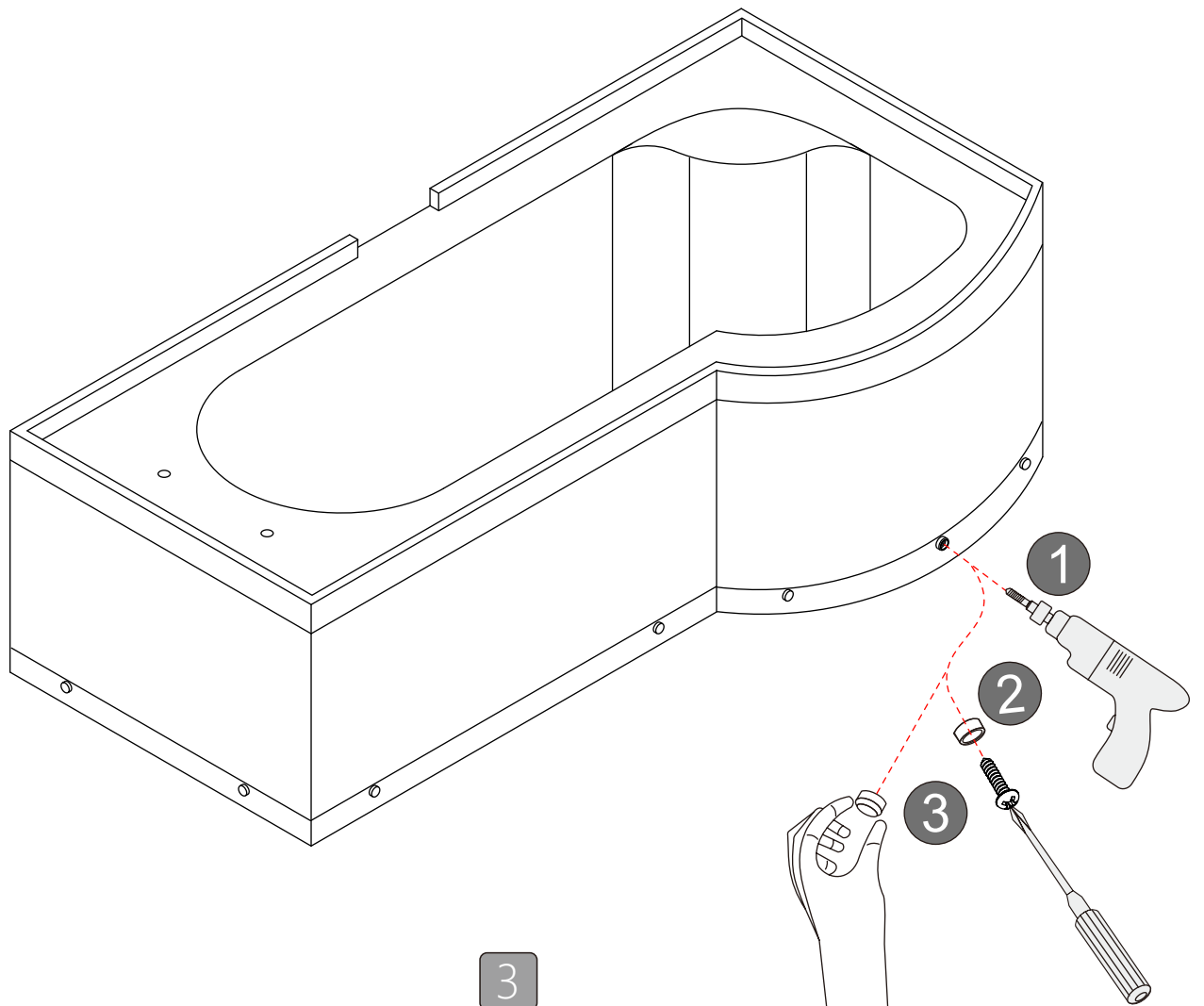
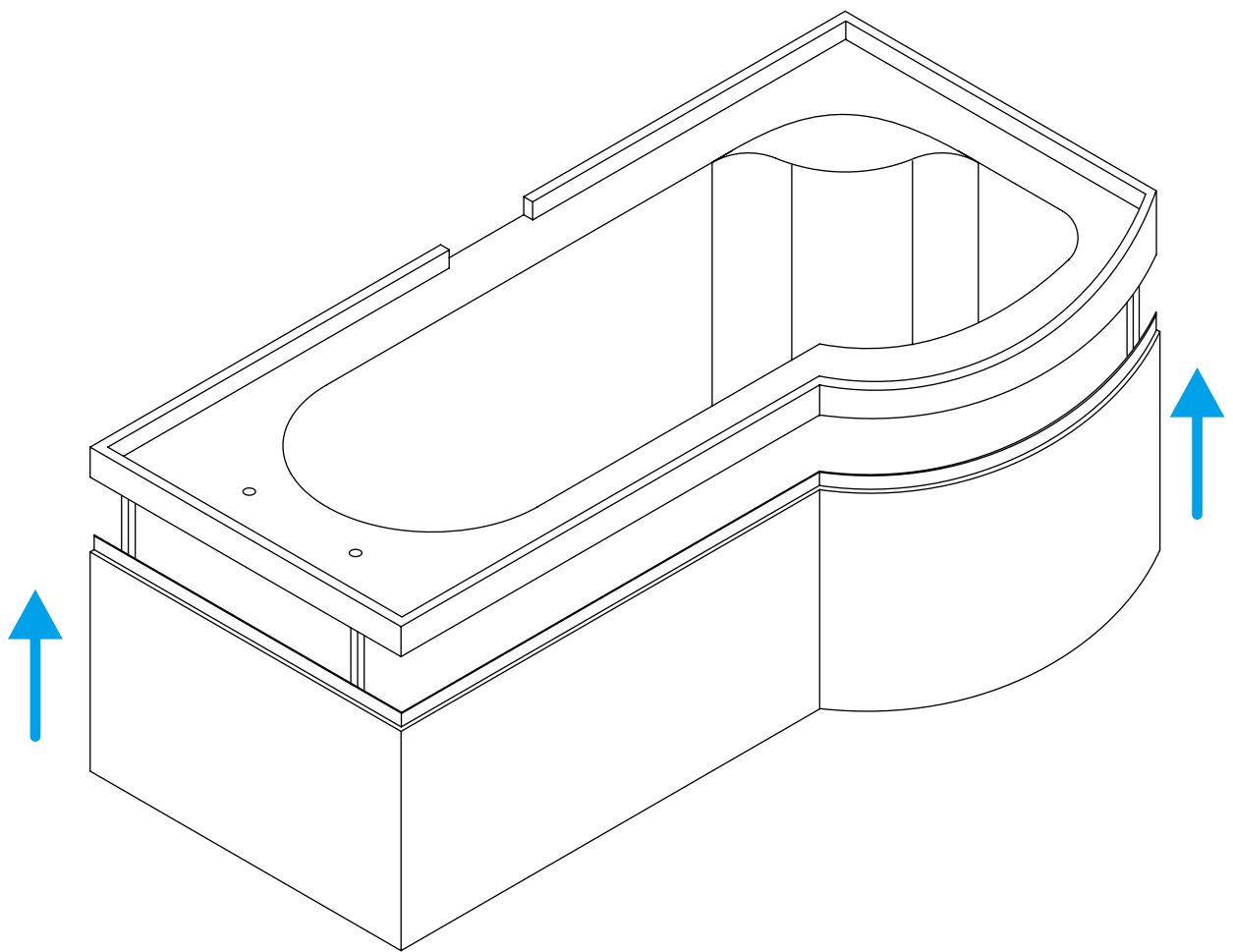
L=1700 W=850 H=2300



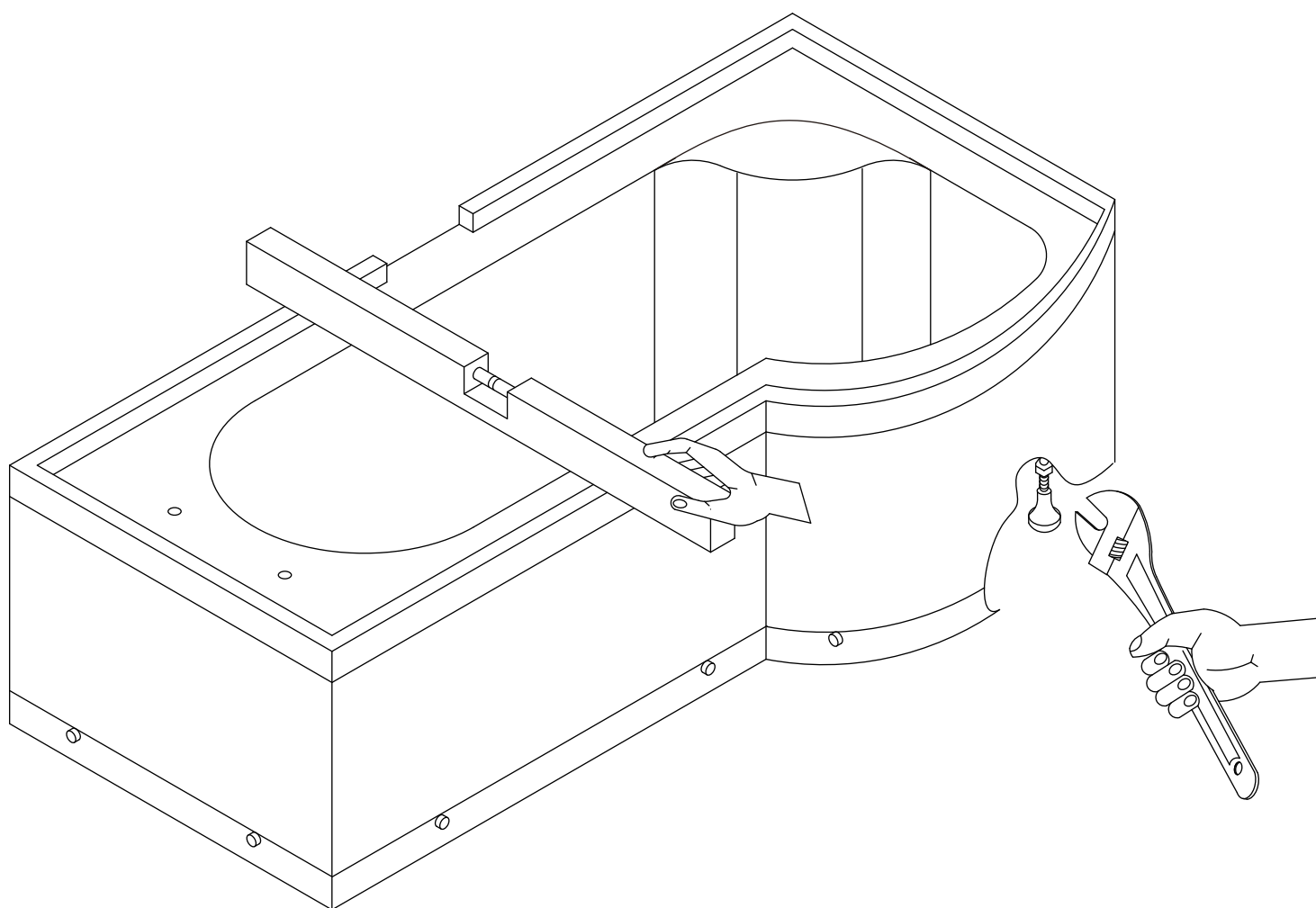
 <p>=1</p>	 <p>=1</p>	 <p>=1</p>	 <p>=1</p>
 <p>=1</p>	 <p>=1</p>	 <p>=1</p>	 <p>=1</p>
 <p>=1</p>	 <p>=1</p>	 <p>=1</p>	 <p>=1</p>
 <p>=1</p>	 <p>=2</p>	 <p>=2</p>	
 <p>=1</p>	 <p>ST4X30=1</p>	 <p>ST4X12=20</p>	

Viktig!

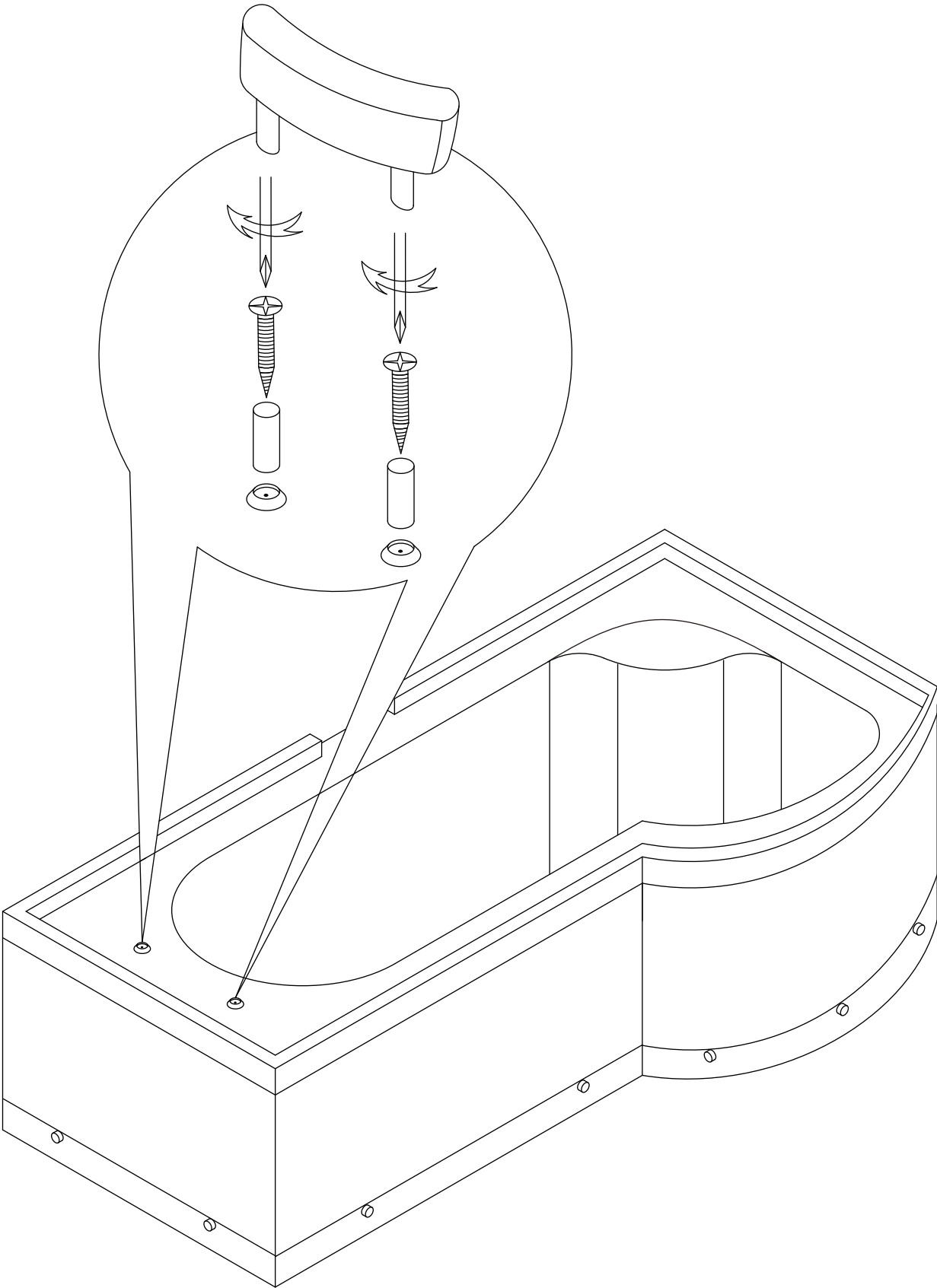
Les nøye gjennom manualen FØR montering starter.
Sjekk også at antall deler samsvarer med deleoversikten og kontakt kundeservice om det oppdages mangler eller feil på mottatte deler.



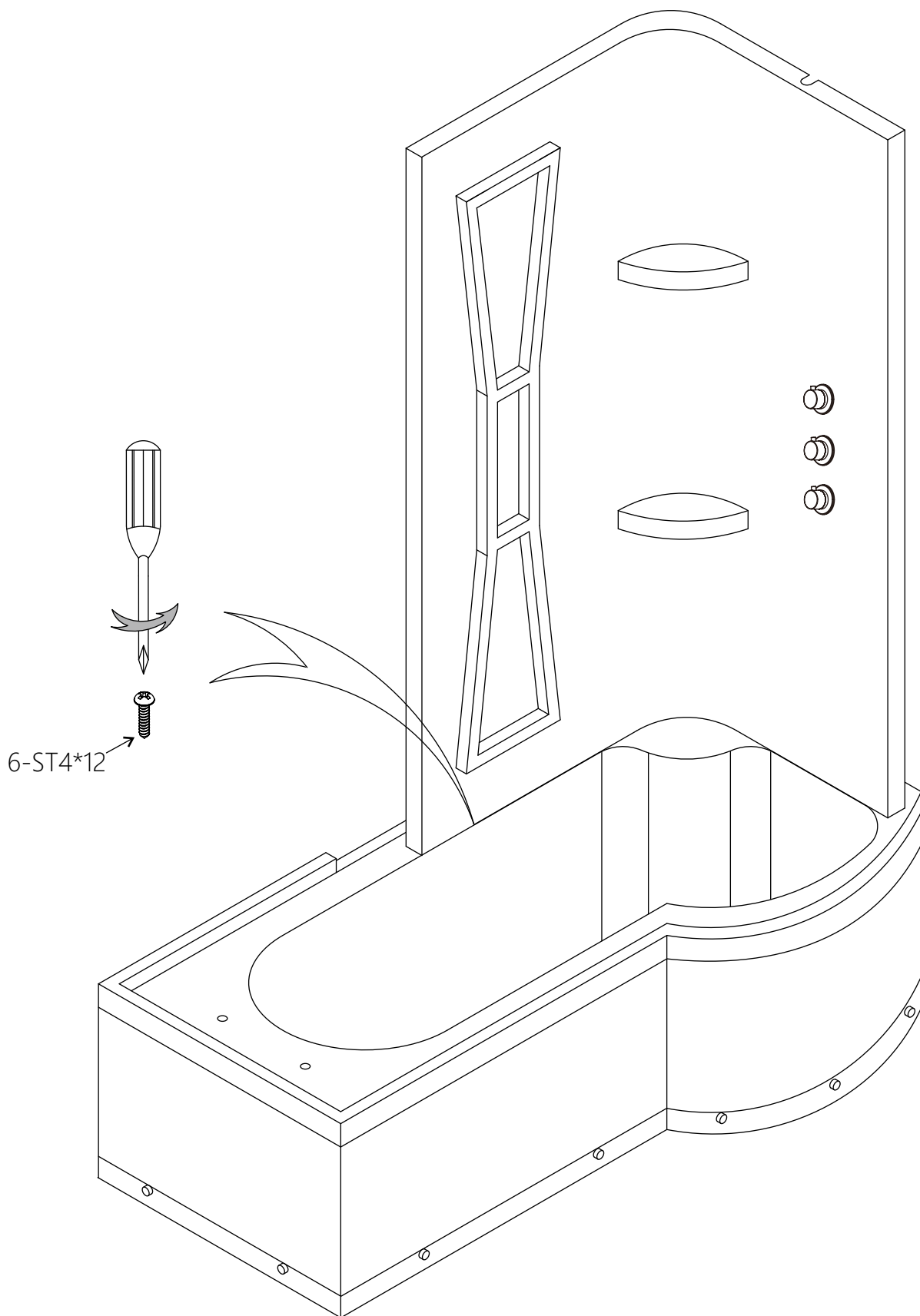
Put the tub at the right place, adjust the feet and tighten the screws.



Put the gasket from inside of the skirt and connection the pillow with the screw

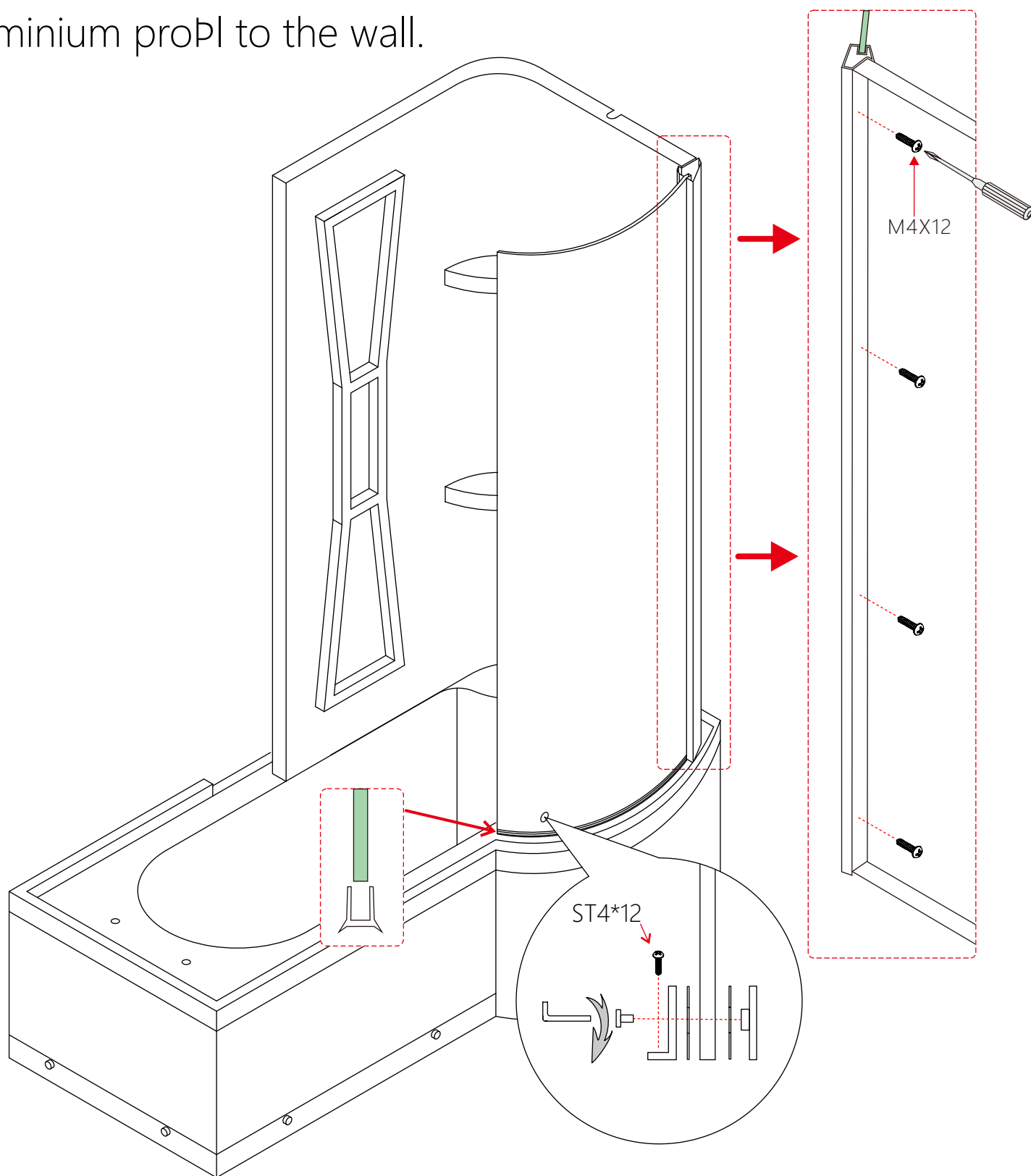


Fix the backboard on the tub with screw ST4*12.

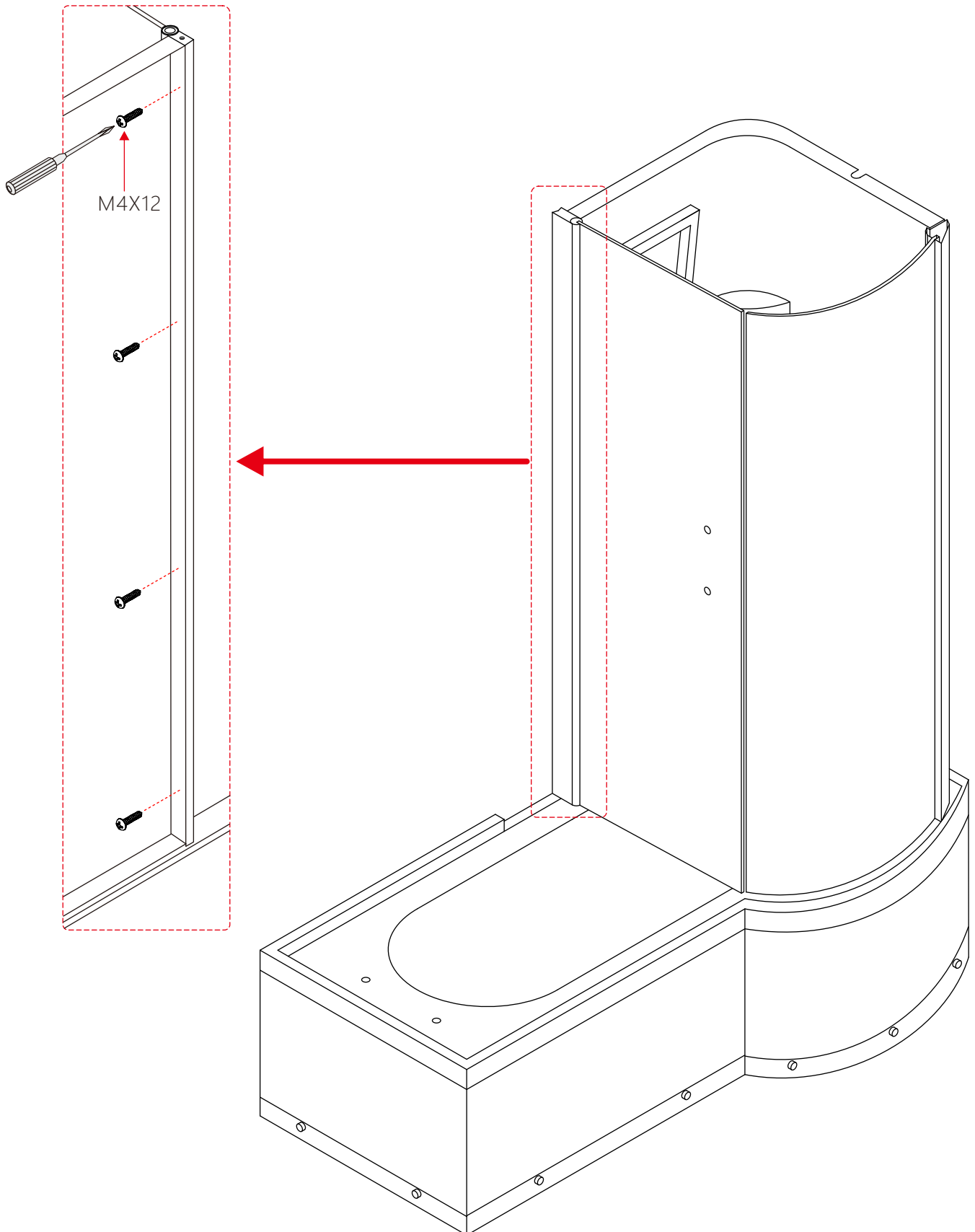


Fix the fixed glass door with screw ST4*12. as the pictures

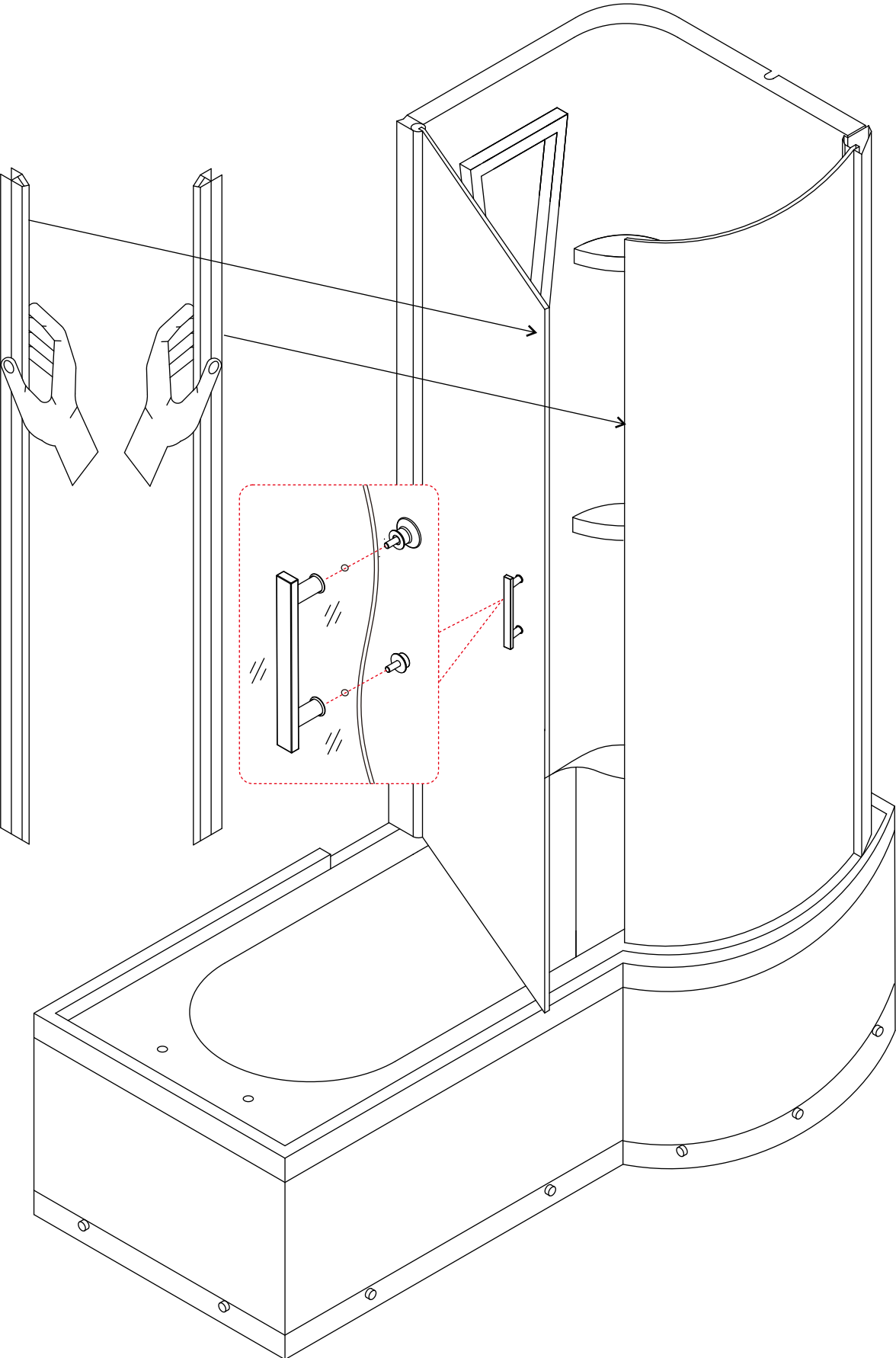
Fix the moveable glass door with screw ST4*12 on the backboard. Then install aluminium profile to the wall.



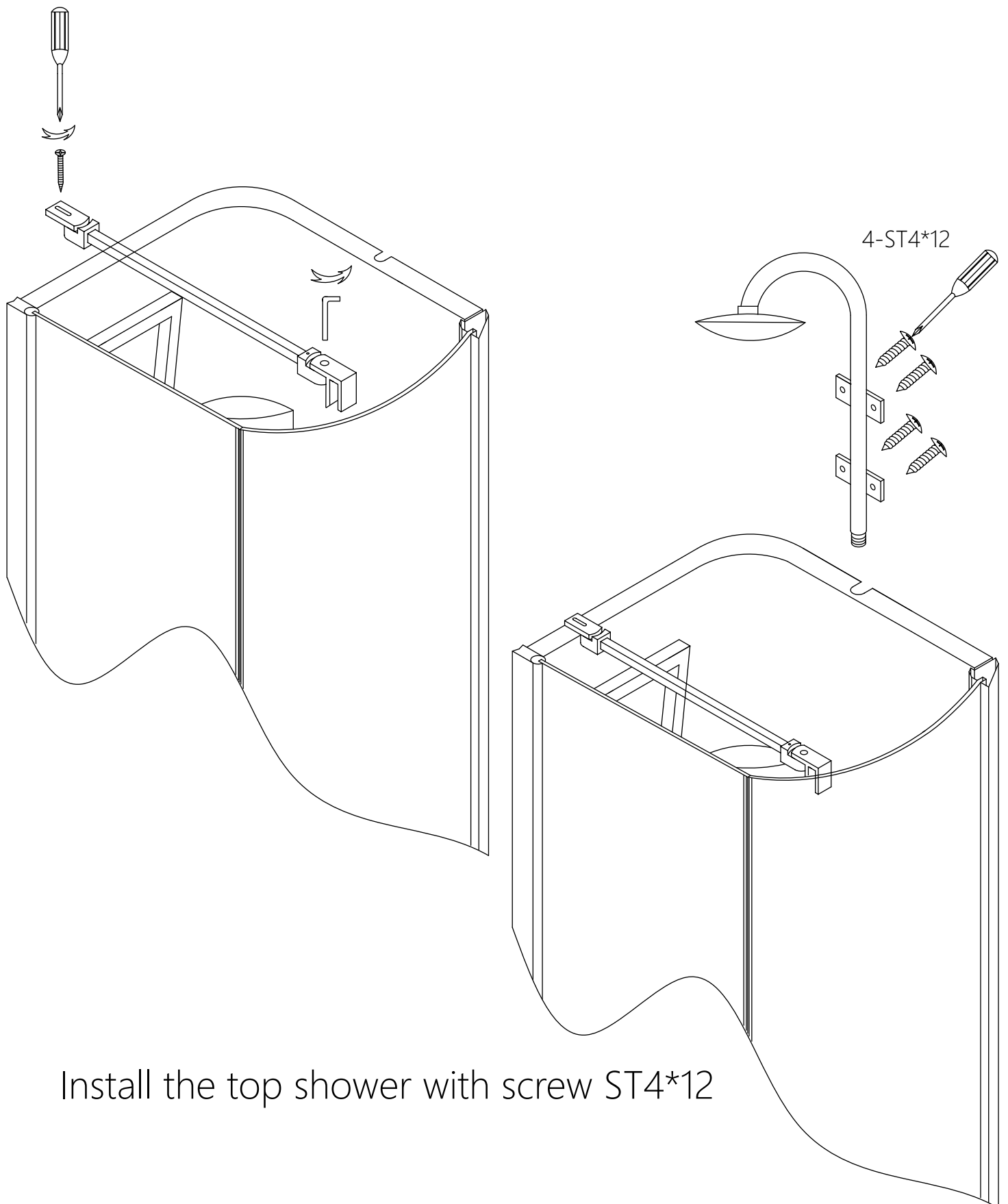
Fix the moveable glass door with screw ST4*12 on the backboard. Then install aluminium profile to the wall.



Put on the door stopper and handle



connection with the backboard and Px glass door with a bar.



Install the top shower with screw ST4*12

Fix the moveable glass door with screw ST4*12 on the backboard. Then install aluminium profile to the wall.

