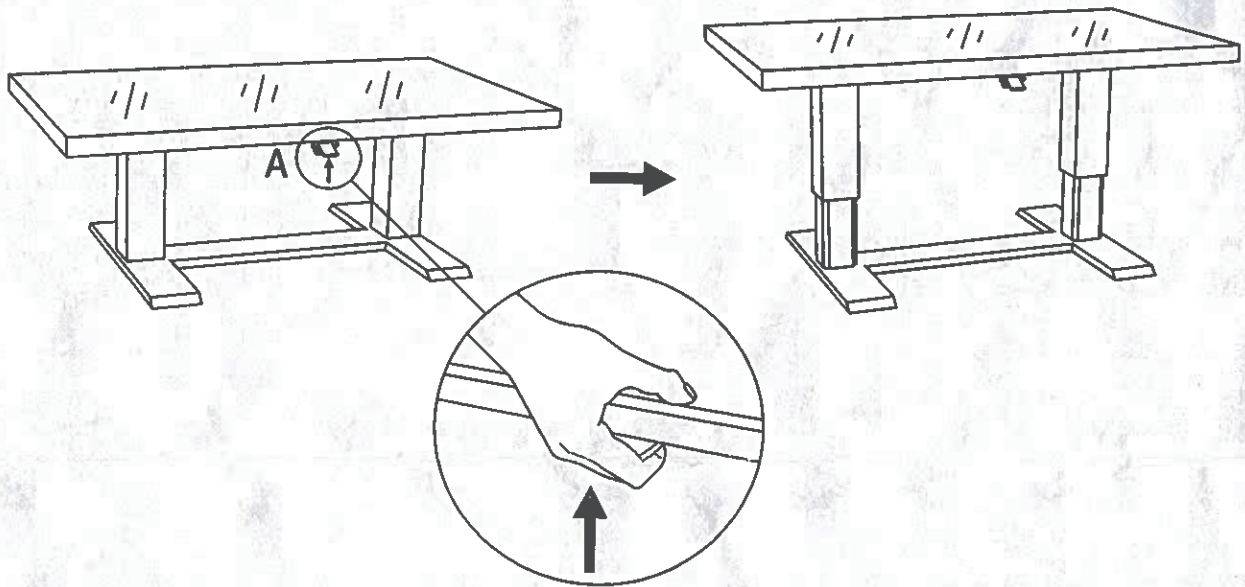


Instructions

Please read the entire instruction manual before you proceed and check if all parts are present. Clear all the packing material and be careful not to damage anything in the process.

Situation 1

Press handle A. The table top will go up automatically. You can choose the height you like.



Situation 2

Press handle A, push the top down with hand in center of table (B), Like on photo below.

